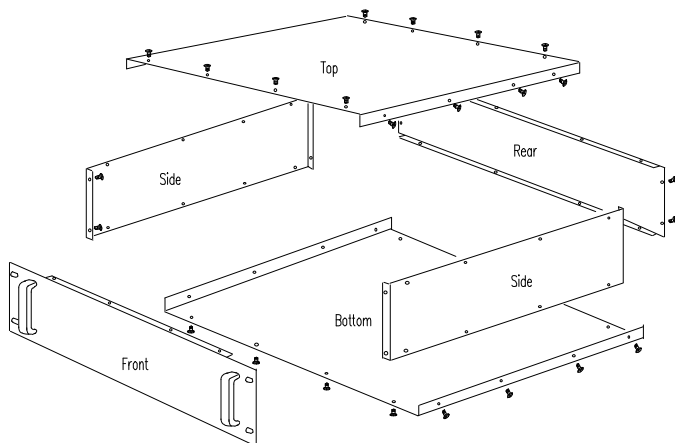


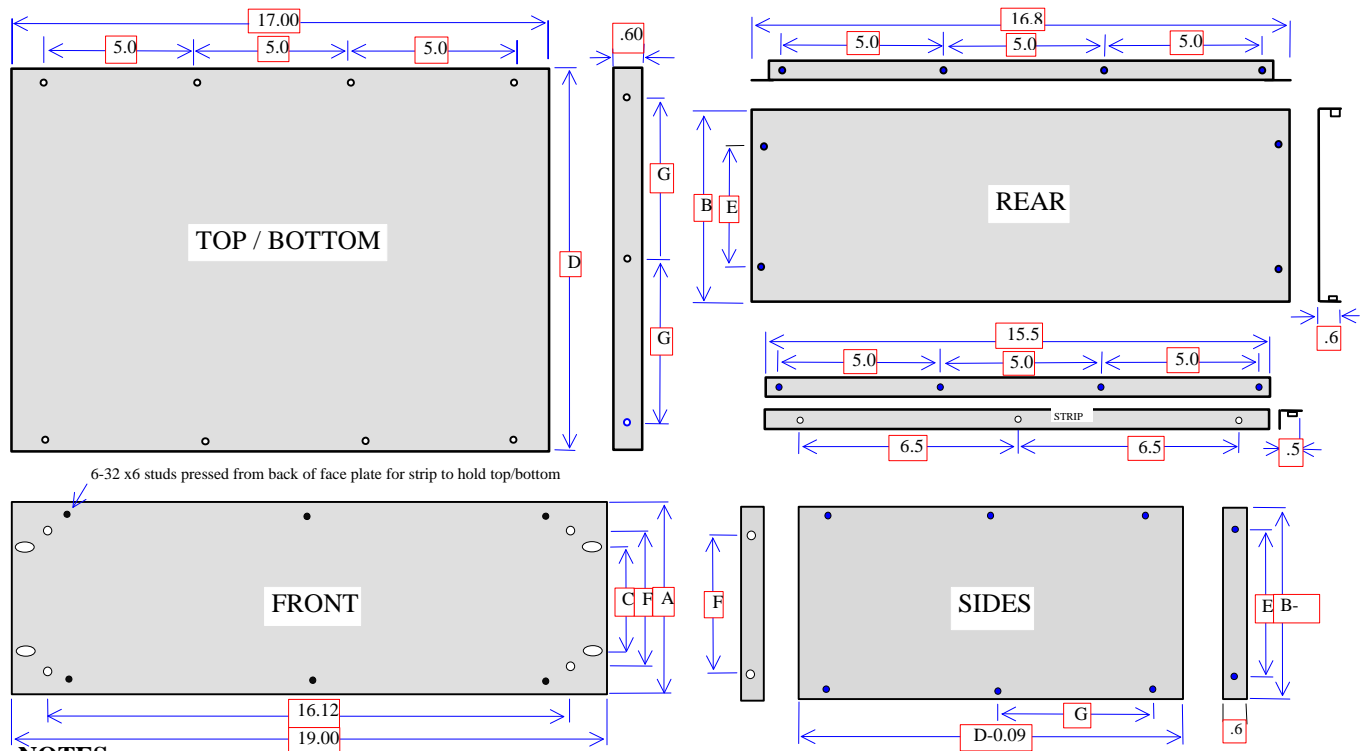
Series 14 rack-mount chassis have been carefully engineered and improved to provide both the reliable EMI/RFI shielding capabilities and structural rigidity. Special treatment has been used for all panel contact areas to guarantee the shielding. Test data from our chassis reached 70dB electrical noise attenuation for varying frequencies.

Our EMI/RFI shielded chassis are specially designed by our electrical engineering team with expertise in RFI shielding and testing. Par-Metal can custom manufacture, modify, and test the EMI/RFI shielded enclosures to meet your specifications. We can also save you time and money by delivering your custom order in lead times of 1 to 3 weeks.



QUICK REFERENCE GUIDE

RACK UNIT	STOCK No.	DIMENSIONS (inch)	
		Height	Depth
1	14-19061x	1.74	6.0
1	14-19101x	1.74	10.0
2	14-19062x	3.49	6.0
2	14-19102x	3.49	10.0
2	14-19162x	3.49	16.0
3	14-19103x	5.24	10.0
3	14-19163x	5.24	16.0
3	14-19223x	5.24	22.0
4	14-19104x	6.98	10.0
4	14-19164x	6.98	16.0
4	14-19224x	6.98	22.0
4	14-19244x	6.98	24.0
5	14-19165x	8.73	16.0
5	14-19225x	8.73	22.0
5	14-19245x	8.73	24.0
6	14-19166x	10.47	16.0
6	14-19226x	10.47	22.0
6	14-19246x	14.47	24.0
7	14-19167x	12.23	16.0
7	14-19227x	12.23	22.0
7	14-19247x	12.23	24.0
8	14-19168x	13.97	16.0
8	14-19228x	13.97	22.0
8	14-19248x	13.97	24.0



NOTES:

Front panel is 0.125" aluminum alloy (5052-H32) with brushed finish, all other panels are 0.09" thick aluminum alloy (5052-H32). Handles and hardware are included.

Press nuts (6-32) and SS screws with maximum distance of 5" are installed on all panels for strength and shielding.

Single rack unit chassis is made with extruded front panel. The strip is part of the front panel. In order to increase the usable height of the chassis, the top, bottom and rear panels are reduce to .062" thick aluminum.

Add suffix-x for your choice of color or finish:

- A alodine (EMI / RFI shielded)
- B black anodize (no EMI / RFI shielded)
- C clear anodize (no EMI / RFI shielded)
- E painted beige (mask for EMI / RFI shielded)
- G painted gray (mask for EMI / RFI shielded)
- N clear alodine (EMI / RFI shielded)
- P painted black (mask for EMI / RFI shielded)
- S black anodize front and gold alodine body

RACK UNIT	STOCK No.	DIMENSIONS (inch)							WEIGHT (LBS)
		A	B	C	D	E	F	G	
1	14-19061x	1.74	1.40	1.25	6.00	1.00	1.00	5.00	5
1	14-19101x	1.74	1.40	1.25	10.00	1.00	1.00	4.0x2	6
2	14-19062x	3.49	3.10	3.00	6.00	2.00	2.00	5.00	6
2	14-19102x	3.49	3.10	3.00	10.00	2.00	2.00	4.0x2	6
2	14-19162x	3.49	3.10	3.00	16.00	2.00	2.00	5.0x3	7
3	14-19103x	5.24	4.85	2.25	10.00	3.75	3.75	4.0x2	7
3	14-19163x	5.24	4.85	2.25	16.00	3.75	3.75	5.0x3	9
3	14-19223x	5.24	4.85	2.25	22.00	3.75	3.75	5.0x4	10
4	14-19104x	6.98	6.60	4.00	10.00	2.5x2	5.50	4.0x2	8
4	14-19164x	6.98	6.60	4.00	16.00	2.5x2	5.50	5.0x3	10
4	14-19224x	6.98	6.60	4.00	22.00	2.5x2	5.50	5.0x4	11
4	14-19244x	6.98	6.60	4.00	24.00	2.5x2	5.50	5.0x4	13
5	14-19165x	8.73	8.35	5.75	16.00	3.0x2	7.25	5.0x3	12
5	14-19225x	8.73	8.35	5.75	22.00	3.0x2	7.25	5.0x4	13
5	14-19245x	8.73	8.35	5.75	24.00	3.0x2	7.25	5.0x4	15
6	14-19166x	10.47	10.10	7.50	16.00	4.0x2	7.25	5.0x3	13
6	14-19226x	10.47	10.10	7.50	22.00	4.0x2	7.25	5.0x4	15
6	14-19246x	10.47	10.10	7.50	24.00	4.0x2	7.25	5.0x4	17
7	14-19167x	12.25	11.85	9.25	16.00	5.0x2	7.25	5.0x3	14
7	14-19227x	12.25	11.85	9.25	22.00	5.0x2	7.25	5.0x4	16
7	14-19247x	12.25	11.85	9.25	24.00	5.0x2	7.25	5.0x4	18
8	14-19168x	13.97	13.60	11.00	16.00	4.0x3	7.25	5.0x3	16
8	14-19228x	13.97	13.60	11.00	22.00	4.0x3	7.25	5.0x4	18
8	14-19248x	13.97	13.60	11.00	24.00	4.0x3	7.25	5.0x4	20