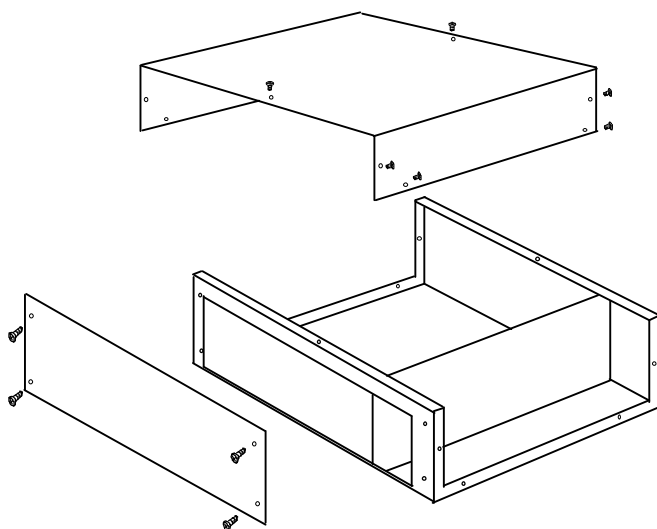


A newly added **STANDARD ENCLOSURES 20 Series** provides an off the shelf and economical way to package the table-top instrument and HI-FI equipment. This series is made from .09” thick aluminum base to handle the heavy components. To achieve this high quality appearance, we include the .12” thick front panel and painted top cover with texture finish in either black or gray.

Our flexible manufacturing method allows our customer to request a modification with **very low costs**. We can punch holes in the front, rear and bottom or even **make any size you want**.

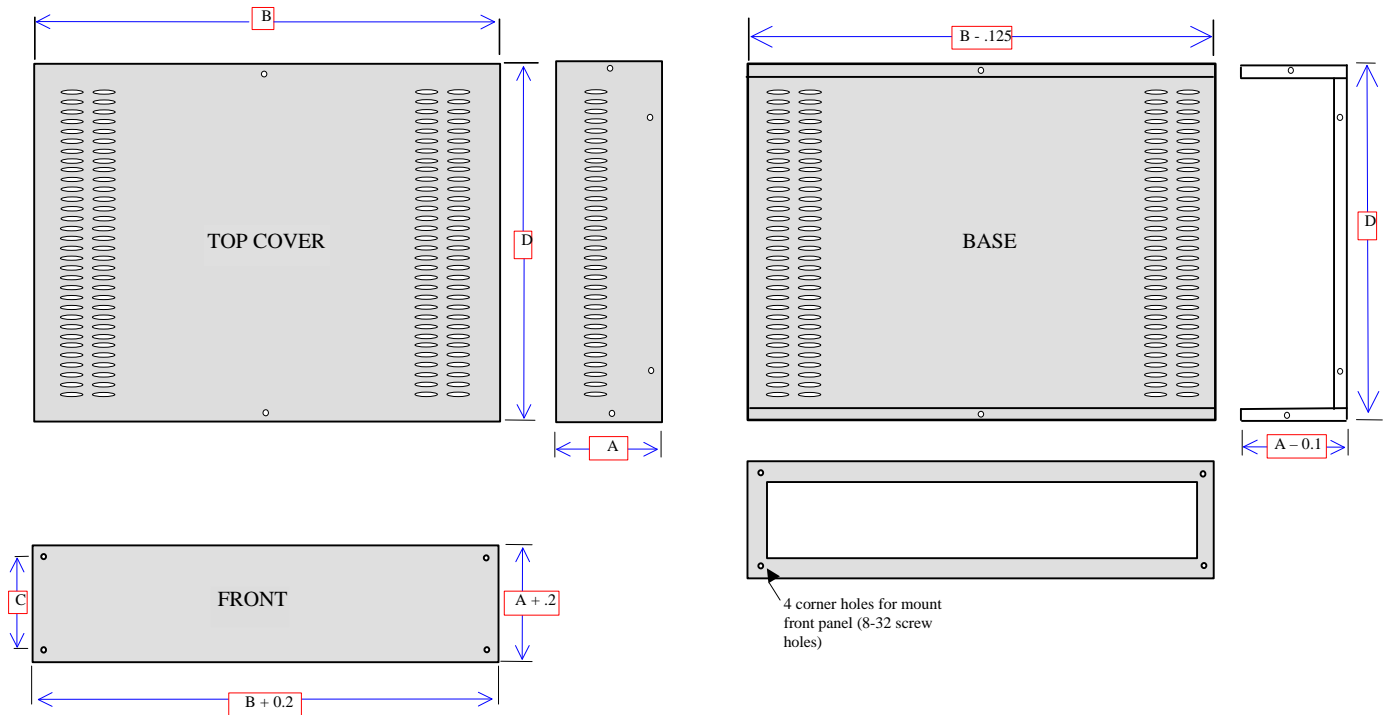
QUICK REFERENCE GUIDE



STOCK No.	DIMENSIONS (inch)		
	Height	Width	Depth
20-12082x	2.0	12.0	8.0
20-12122x	2.0	12.0	12.0
20-12083x	3.0	12.0	8.0
20-12123x	3.0	12.0	12.0
20-16123x	3.0	16.0	12.0
20-12124x	4.0	12.0	12.0
20-16124x	4.0	16.0	12.0
20-16164x	4.0	16.0	16.0
20-12125x	5.0	12.0	12.0
20-16125x	5.0	16.0	12.0
20-16165x	5.0	16.0	16.0
20-12126x	6.0	12.0	12.0
20-16126x	6.0	16.0	12.0
20-16166x	6.0	16.0	16.0
20-16128x	8.0	16.0	12.0
20-16168x	8.0	16.0	16.0

DETAILED DIMENSIONS

20 SERIES



NOTES:

Front panel is 0.125" aluminum alloy (5052-H32) with brushed finish in black or clear anodize, top and rear cover are 0.06" thick aluminum painted in black or gray, and base tray is 0.09" thick aluminum alloy (5052-H32) painted. Aluminum handles and thicker front panels are optional.

All screw holes are installed with 6-32 PEM press-nuts to increase strength and reliability.

Standard vent holes are punched on base. Two rows of

vent holes are punched on side panels. Please choose divider plate, handles, or thicker front panel from table below. Add suffix-x for your choice of color or finish:

- B black anodize front & painted black
- G clear anodize front & painted gray
- E painted in beige
- A gold alodine
- N clear alodine

STOCK No.	DIMENSIONS (inch)				OPTIONAL					SHIPPING WEIGHT (LBS)
	A	B	C	D	HANDLE	3/16" FRONT			INTERNAL PLATE	
20-12082x	2.0	12.0	1.00	8.0	60-0100x	20-1233Fx			20-082Dx	2
20-12122x	2.0	12.0	1.00	12.0	60-0100x	20-1233Fx			20-122Dx	2
20-12083x	3.0	12.0	2.00	8.0	60-0200x	20-1233Fx			20-083Dx	2
20-12123x	3.0	12.0	2.00	12.0	60-0200x	20-1233Fx			20-123Dx	3
20-16123x	3.0	16.0	2.00	12.0	60-0200x	20-1633Fx			20-123Dx	3
20-12124x	4.0	12.0	2.00	12.0	60-0200x	20-1243Fx			20-124Dx	3
20-16124x	4.0	16.0	2.00	12.0	60-0200x	20-1643Fx			20-124Dx	4
20-16164x	4.0	16.0	2.00	16.0	60-0200x	20-1643Fx			20-164Dx	5
20-12125x	5.0	12.0	3.75	12.0	60-0375x	20-1253Fx			20-125Dx	4
20-16125x	5.0	16.0	3.75	12.0	60-0375x	20-1653Fx			20-125Dx	5
20-16165x	5.0	16.0	3.75	16.0	60-0375x	20-1653Fx			20-165Dx	5
20-12126x	6.0	12.0	3.75	12.0	60-0375x	20-1263Fx			20-126Dx	4
20-16126x	6.0	16.0	3.75	12.0	60-0375x	20-1663Fx			20-126Dx	5
20-16166x	6.0	16.0	3.75	16.0	60-0375x	20-1663Fx			20-166Dx	6
20-16128x	8.0	16.0	5.50	12.0	60-0550x	20-1683Fx			20-128Dx	6
20-16168x	8.0	16.0	5.50	16.0	60-0550x	20-1683Fx			20-168Dx	7